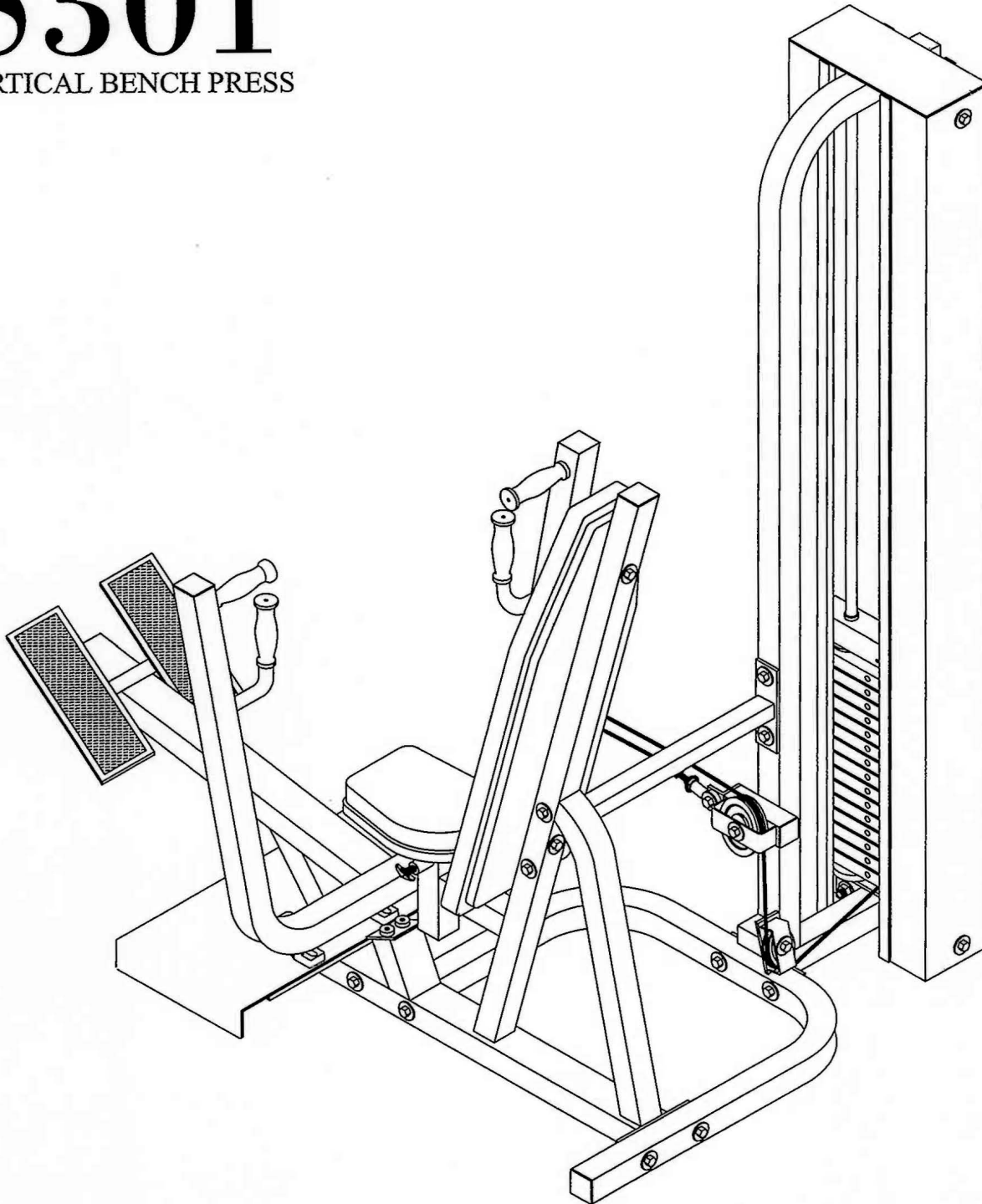
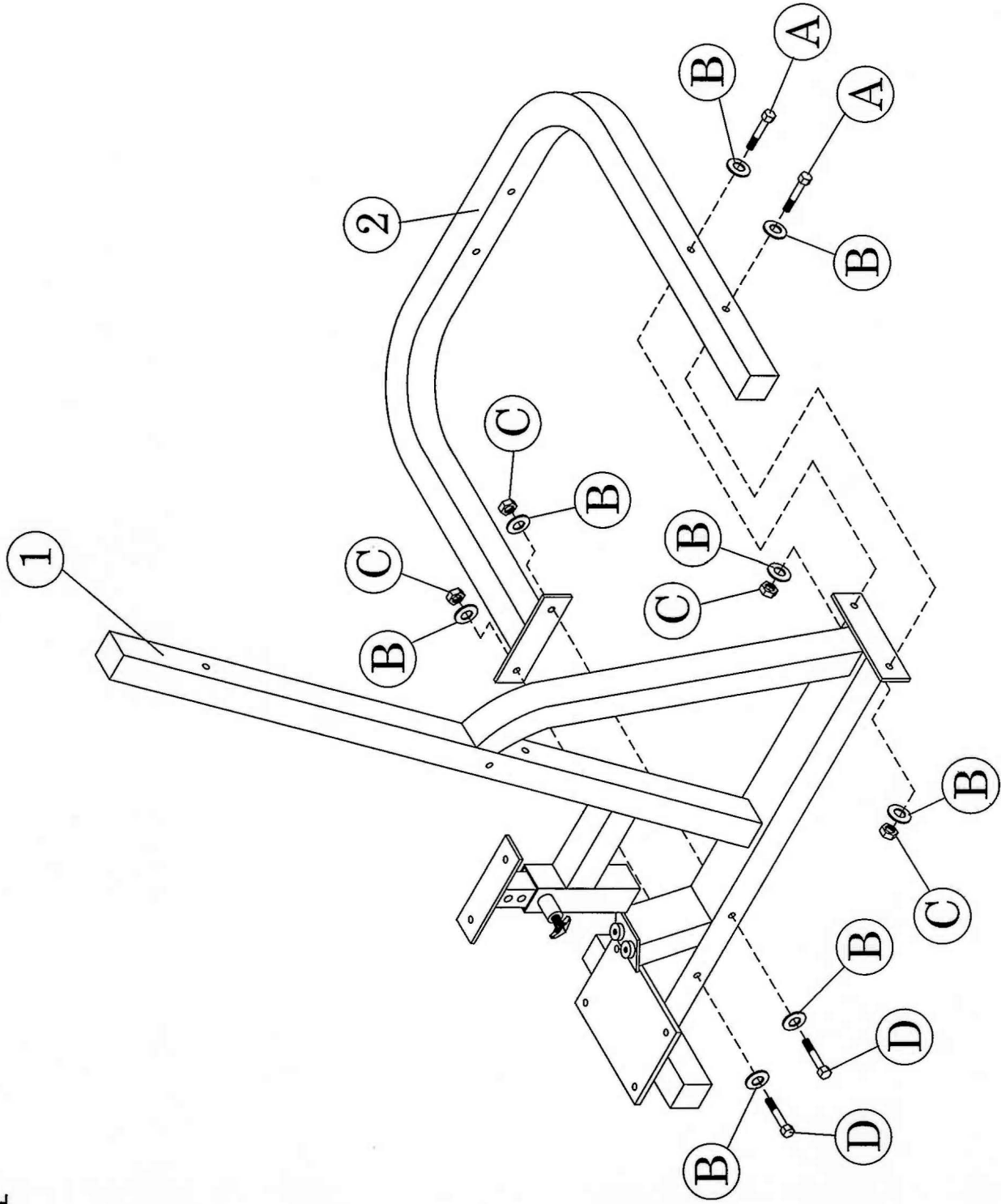


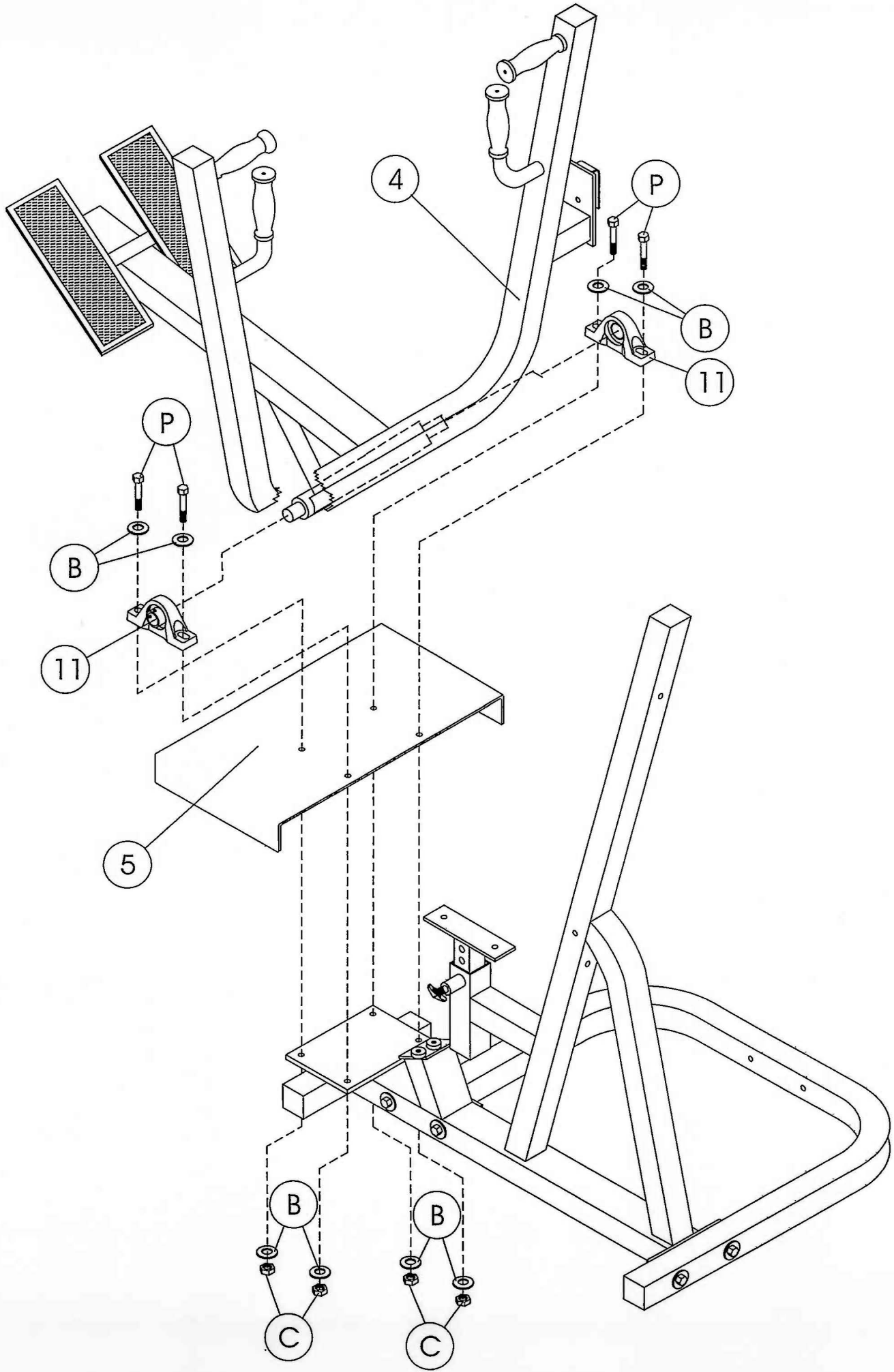
**HOIST**<sup>®</sup>  
FITNESS SYSTEMS

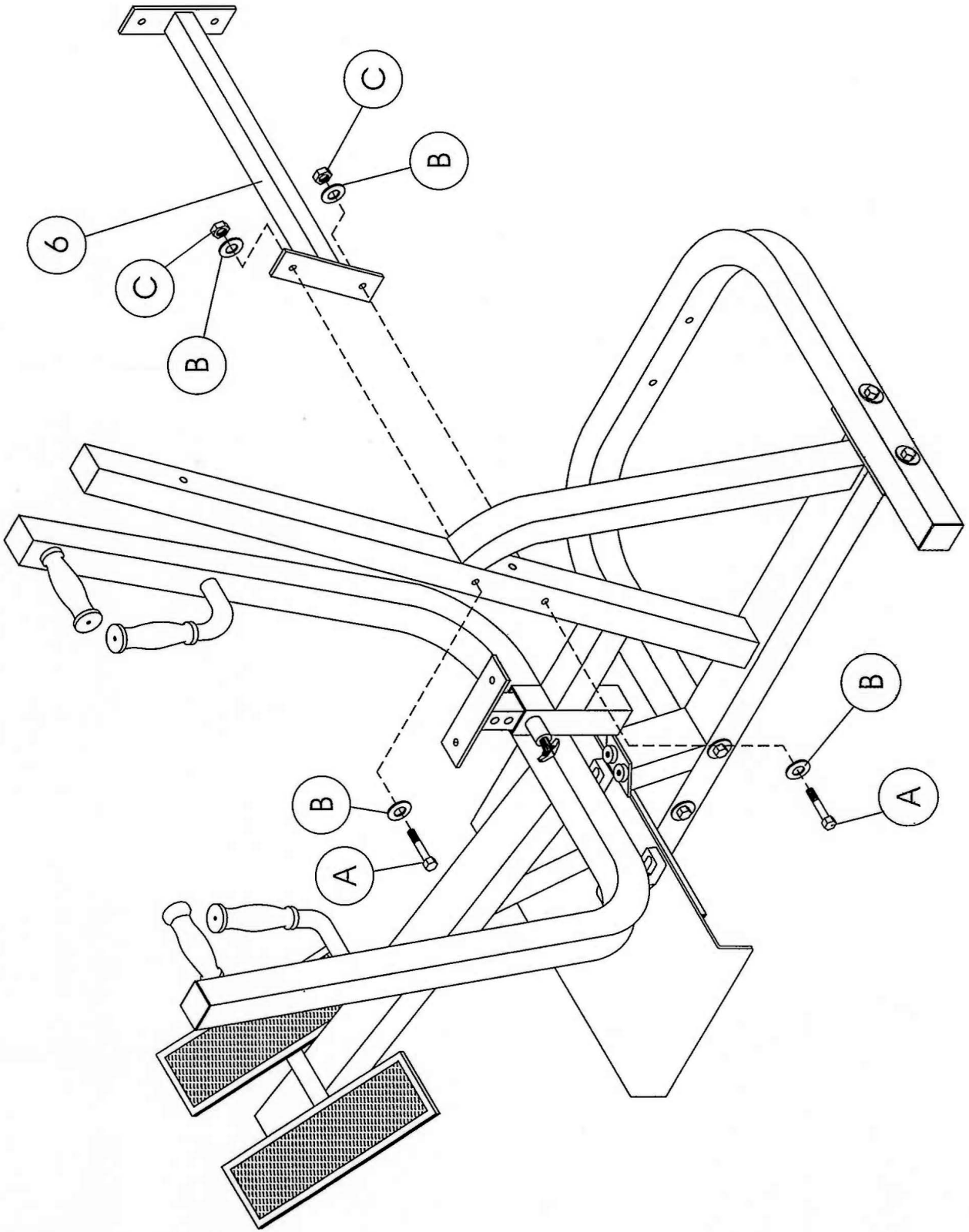
# S301

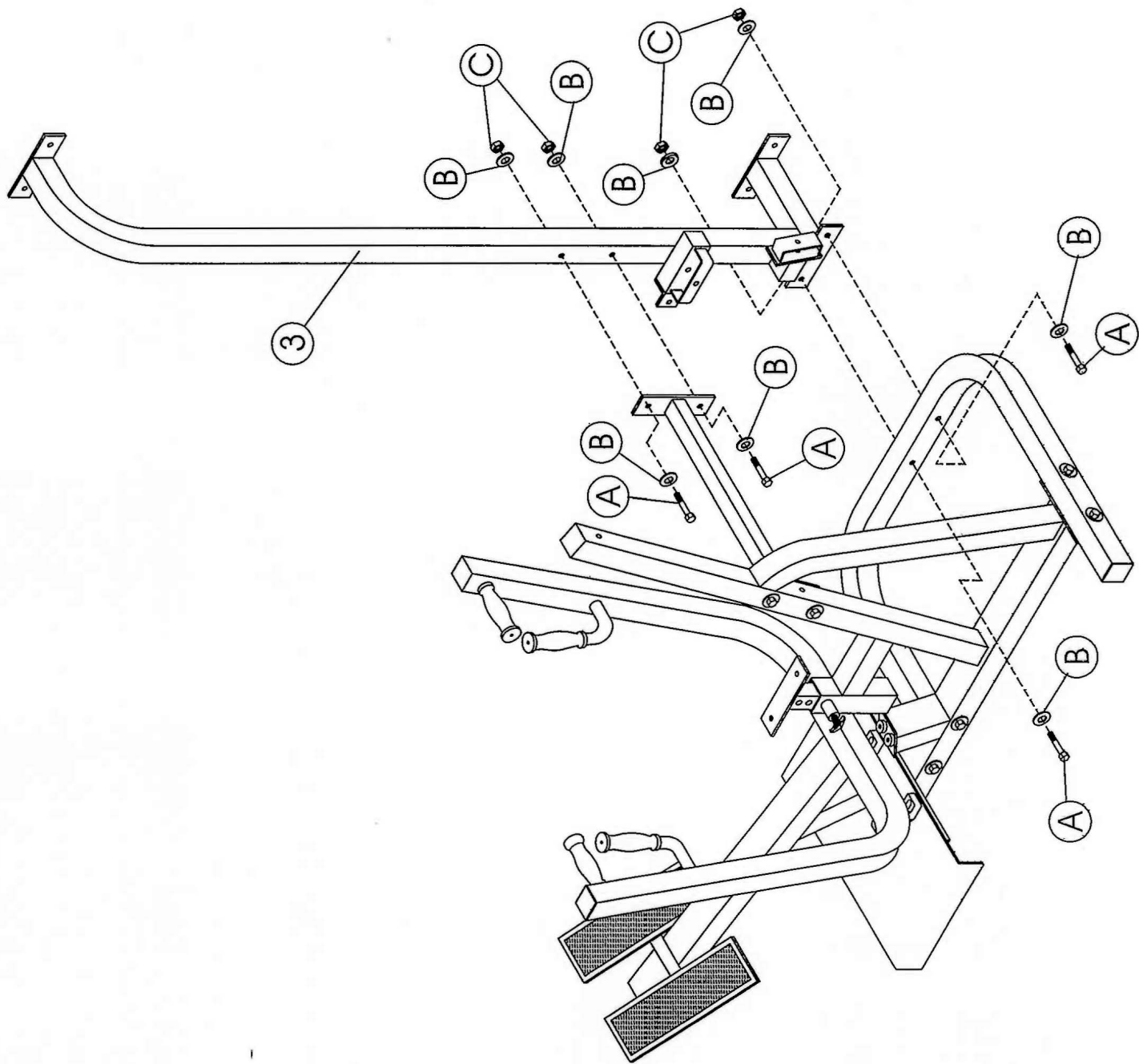
VERTICAL BENCH PRESS

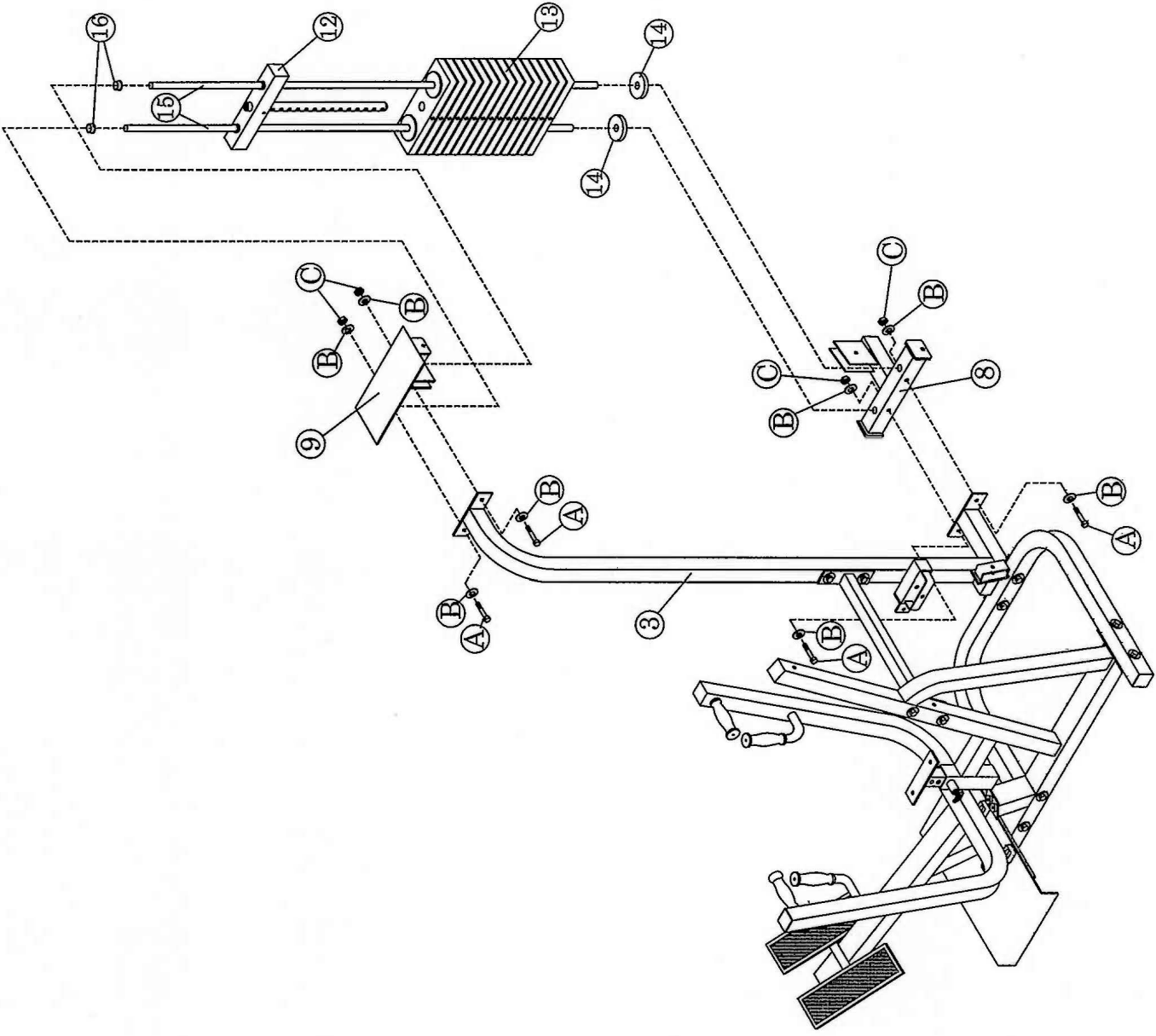


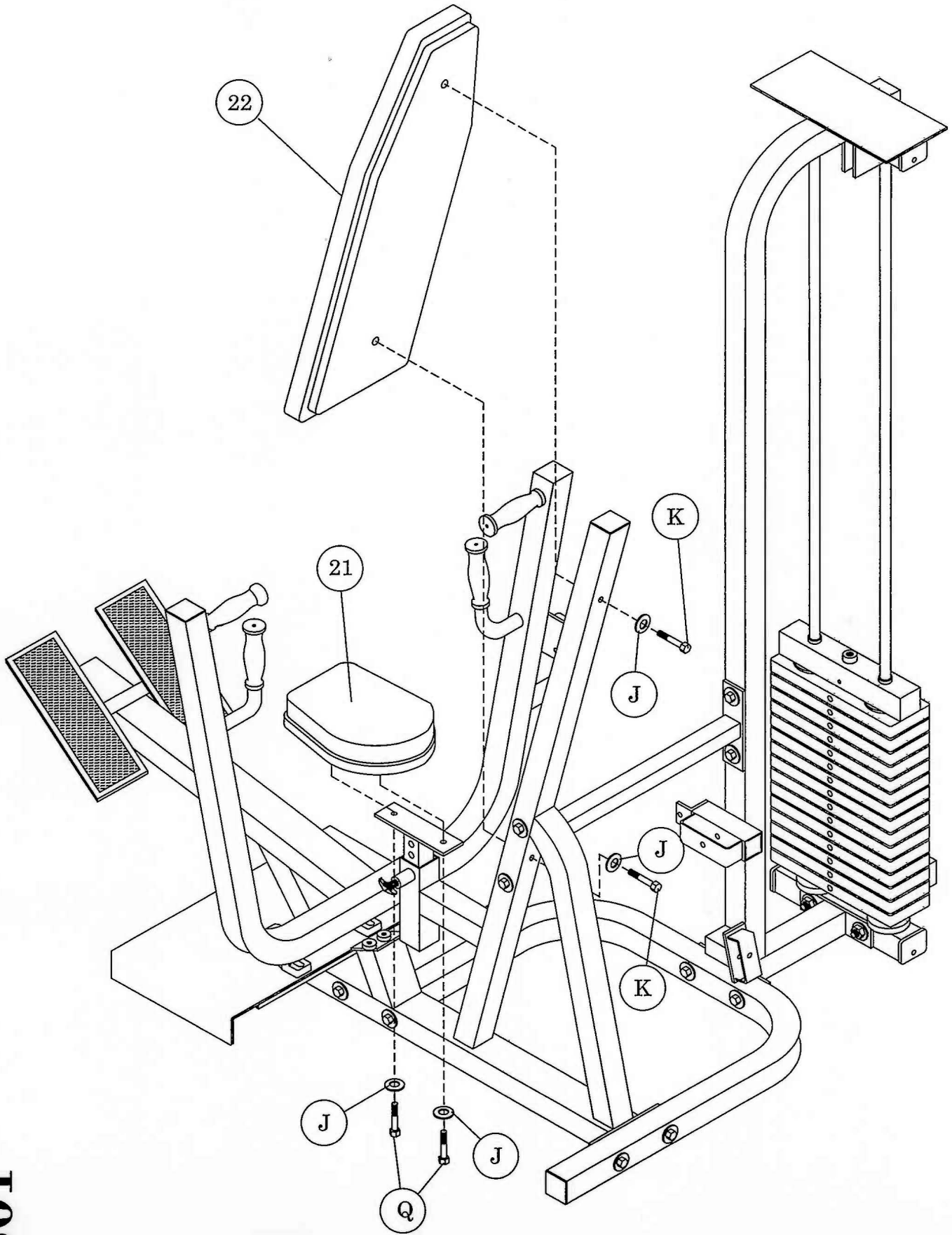


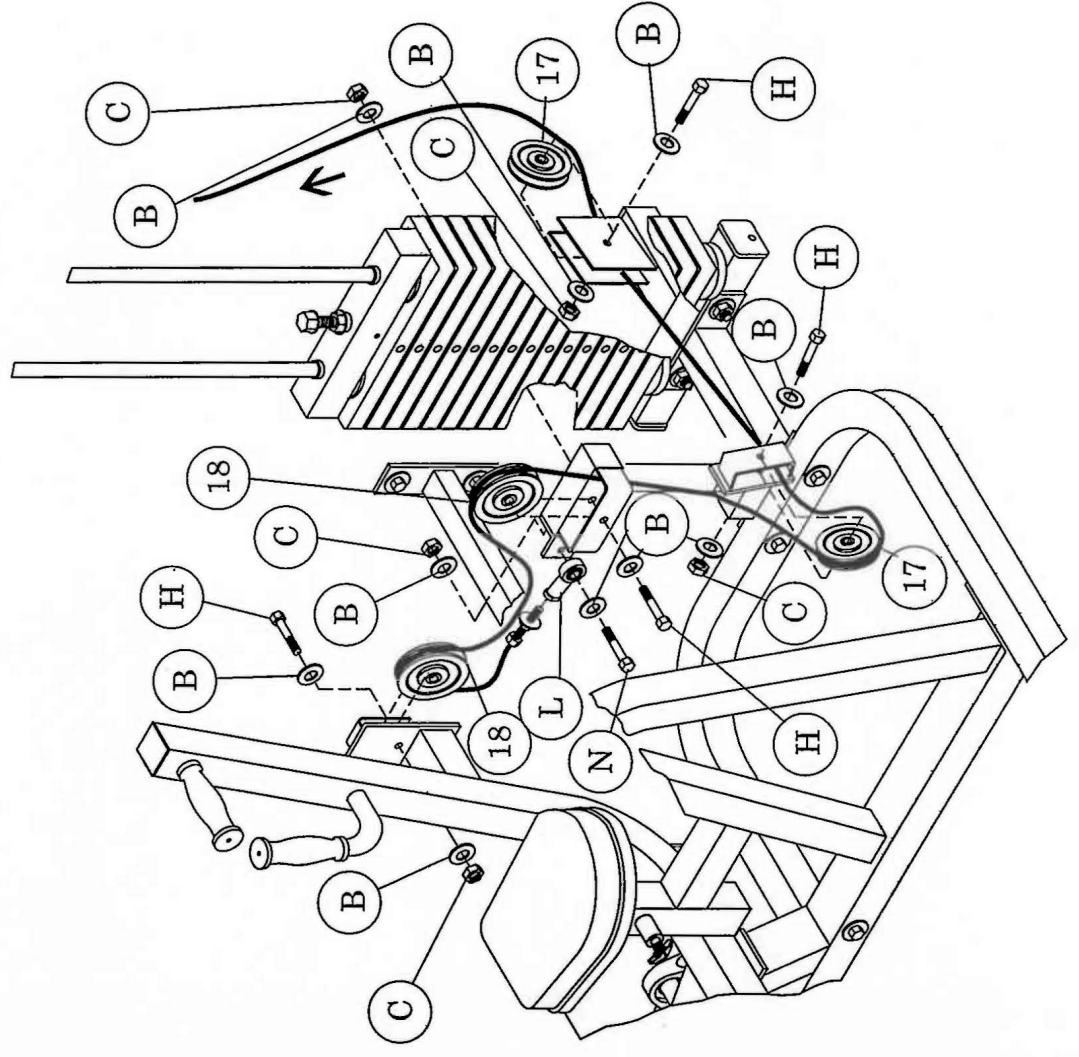
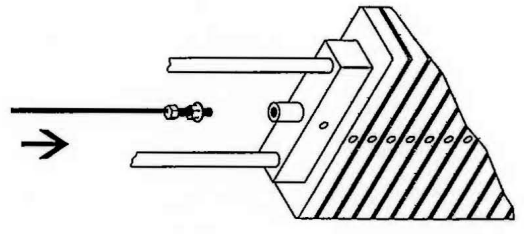
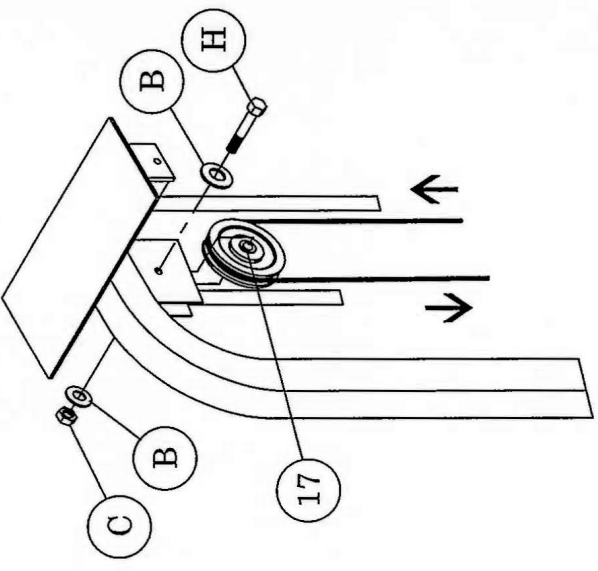






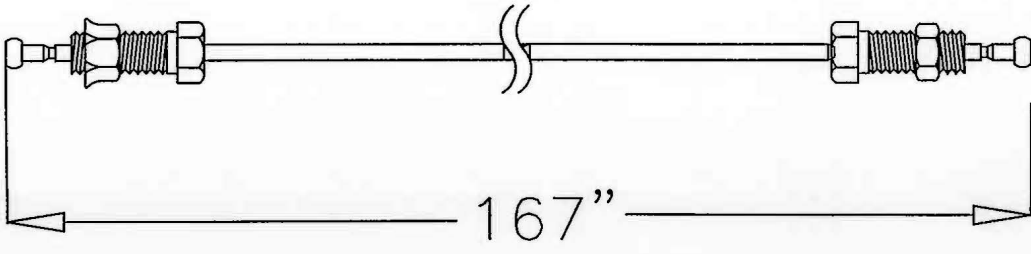
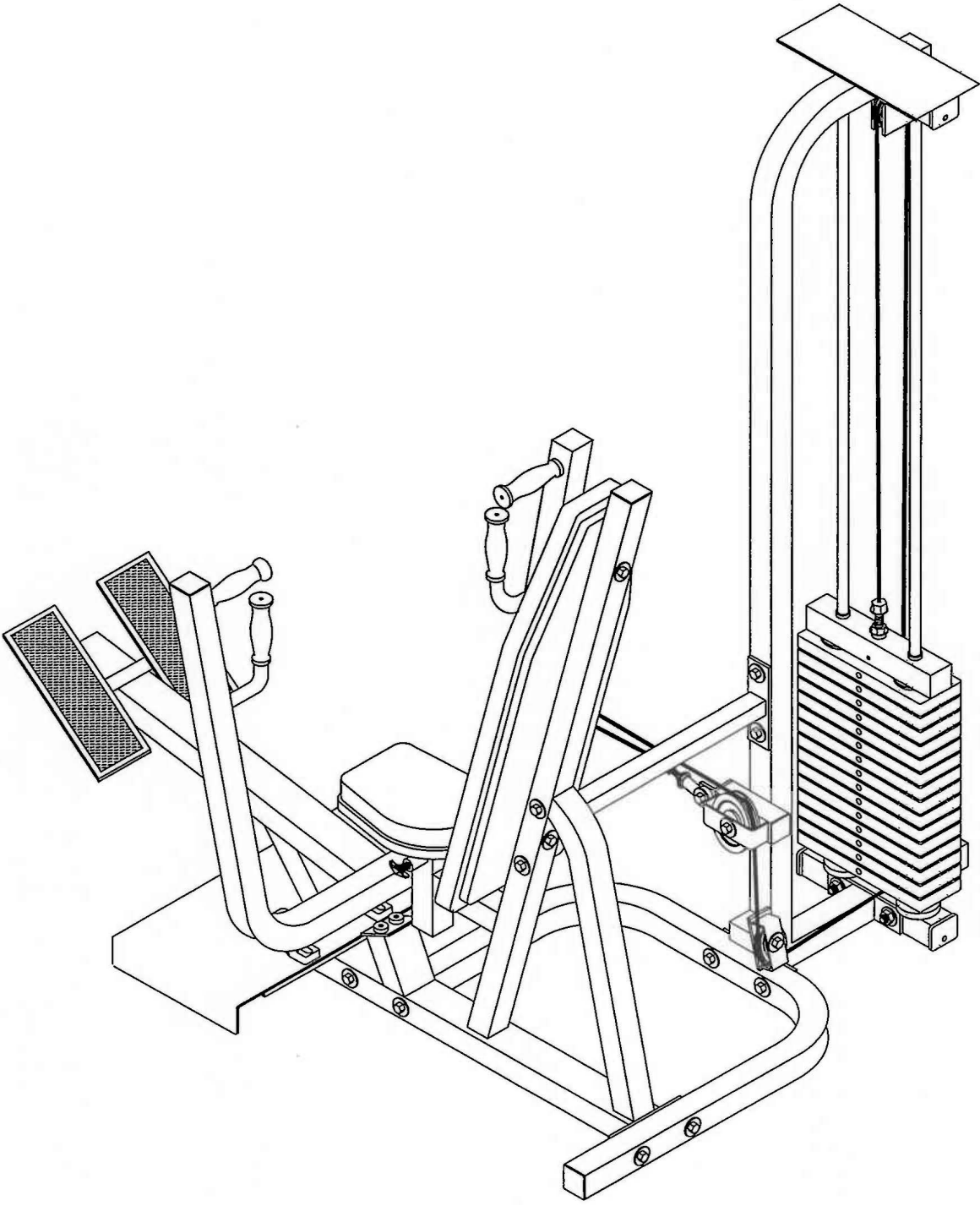


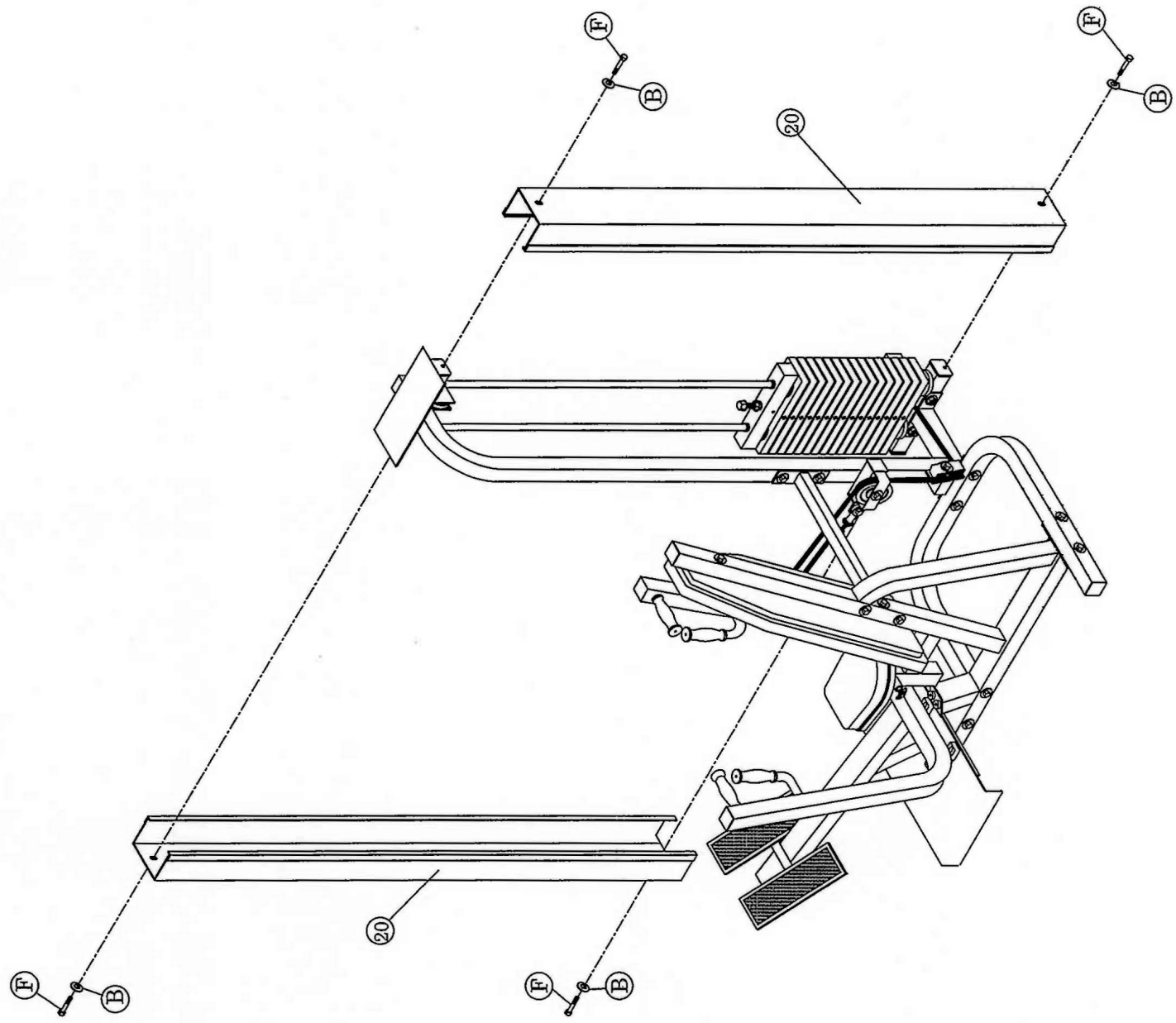


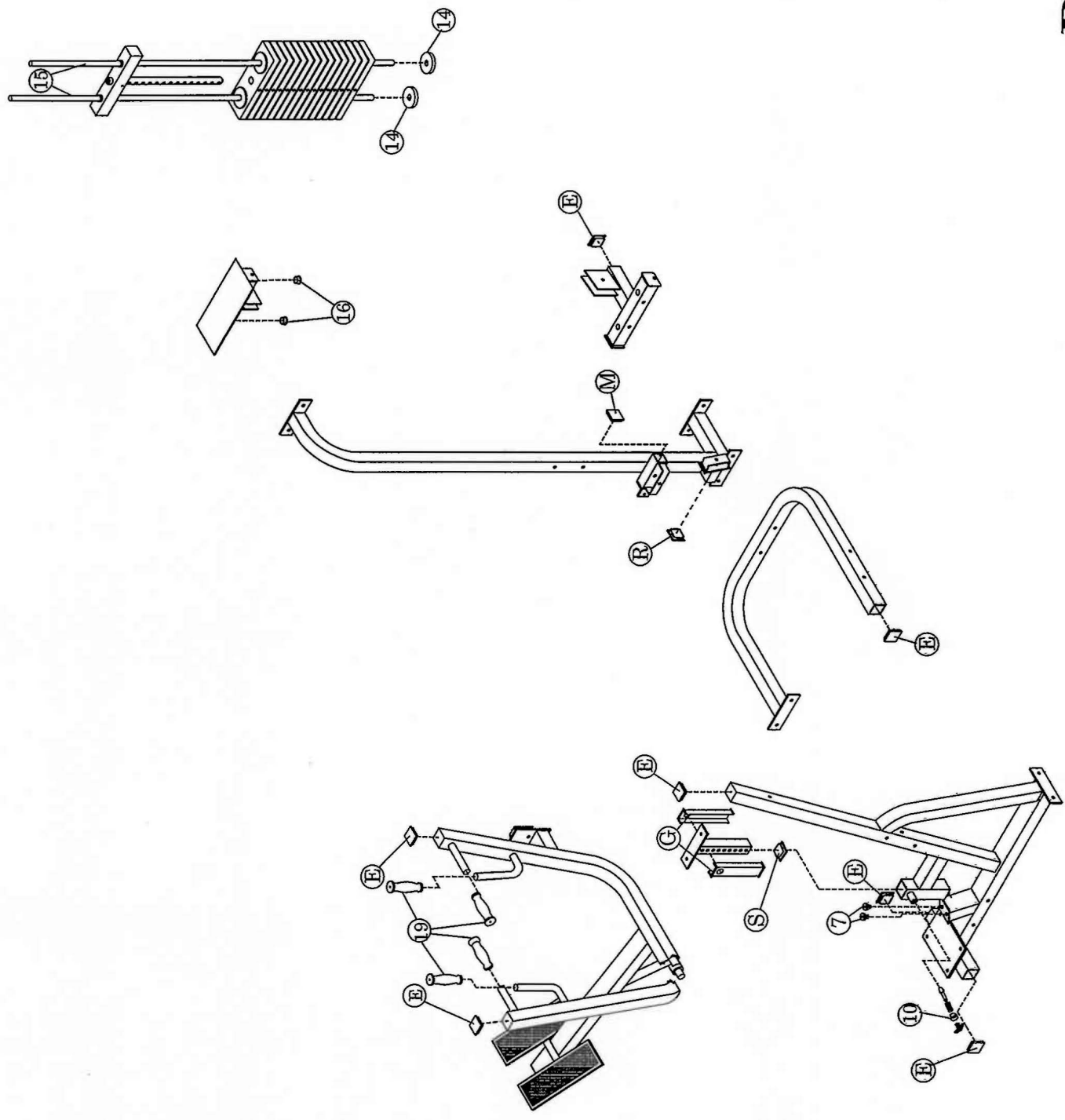




**S301**







## PARTS LIST

Key No.	Qty.	Part Number	Description
1	1	61-S301-01	SEAT ASSEMBLY
2	1	61-S301-08	BASE FRAME
3	1	61-S301-02	WEIGHT CAGE
4	1	61-S3010-63	ARM ASSEMBLY
5	1	61-S301-09	FOOT PLATE
6	1	61-S301-03	CROSS-MEMBER
7	2	19-PLG-1	BUMPER PLUG
8	1	61-S301-05	WEIGHT STACK (BOTTOM)
9	1	61-S301-04	WEIGHT STACK (TOP)
10	1	26-STD-SM128	1/2" PULLPIN (SHORT)
11	2	14-BRG-RAD1PILP	PILLOW BLOCK BEARING
12	1	26-STD-SWTOP-1	8 1/2 lb. TOP WEIGHT PLATE W/STEM
13	20	61-STD-SW101	12 1/2 lb. WEIGHT PLATE
14	2	19-WSB-12	1/2" RUBBER DONUT
15	2	26-STD-SG111	3/4" x 71 3/4" GUIDE ROD
16	2	14-BSH-GRD-34	GUIDE ROD SNAP BUSHING
17	3	18-PUL-312	3 1/2" PULLEY
18	2	18-PUL-412	4 1/2" PULLEY
19	2	19-GRP-78514T	TAPERED GRIPS
20	2	26-STD-SX109	71 3/4" WEIGHT STACK SHIELD
21	1	26-STD-SU911	9" x 11" SEAT PAD
22	1	26-STD-SU1034	10" x 34" BACK PAD
23	1	61-S301-07	SEAT PAD ADJUSTER

<b>Key No.</b>	<b>Qty.</b>	<b>Part Number</b>	<b>Description</b>
A	12	11-HEX-38234	3/8 x 2 3/4" HEX BOLT
B	52	13-FLT-38	3/8 USS FLAT WASHER
C	24	12-LOK-38	3/8 LOCK NUT
D	2	11-HEX-38334	3/8 x 3 3/4 HEX BOLT
E	7	16-CAP-22	2 x 2 ENDCAP
F	4	11-HEX-38(16)1	3/8 x 1 HEX BOLT
G	2	26-STD-PLAS112	E-Z GUIDE ASSEMBLY SLEEVE
H	5	11-HEX -38(16)2	3/8 x 2 HEX BOLT
J	4	12-LOK-516	5/16 USS FLAT WASHER
K	2	11-HEX-516314	5 1/16 x 3 1/4 HEX BOLT
L	1	14-END-F1220	ROD END (FEMALE)
M	2	16-CAP-134134	1 3/4 x 1 3/4 ENDCAP
N	1	11-HEX-38112	3/8 x 1 1/2 HEX BOLT
P	4	11-HEX-38134	3/8 x 1 3/4 HEX BOLT
Q	2	11-HEX-516(18)114F	5/16 x 1 1/4 HEX BOLT
R	1	16-CAP-1122	1 1/2 x 2 ENDCAP
S	1	16-CAP-112112	1 1/2 x 1 1/2 ENDCAP